



**THE #1 CHOICE IN QUALITY**

*Zeiger Performance Marine Products*

***BY EVERETT PERFORMANCE***



OEM Factory Direct Sales

Contact Paul Everett

paul@everettperformance.com

877-621-7770

# ***“NEW” STAINLESS STEEL TILT HELMS***



- ⊕ Limited Lifetime Warranty
- ⊕ If It Floats, It Fits:
  - ⊕ Center Consoles
  - ⊕ Performance Boats
  - ⊕ Cruisers
  - ⊕ Sport Fish Yachts
  - ⊕ Pontoon Boats
  - ⊕ Electric or Mechanical
  - ⊕ Outboard JPO Fly by Wire

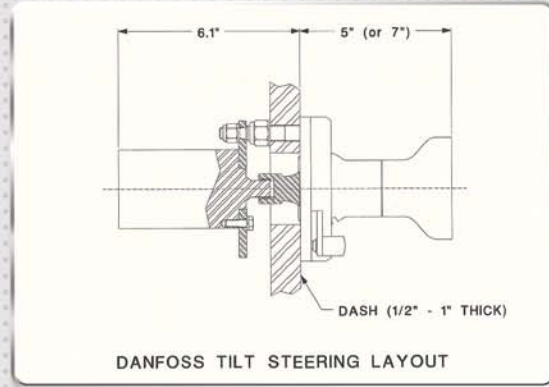
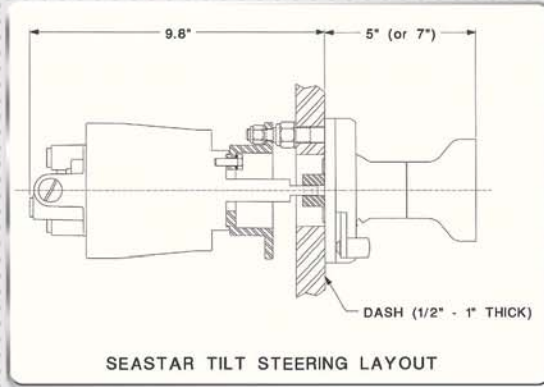
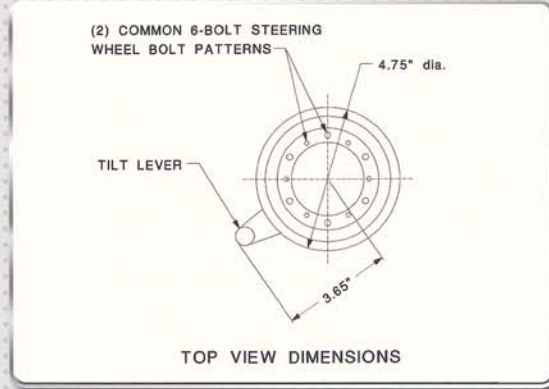
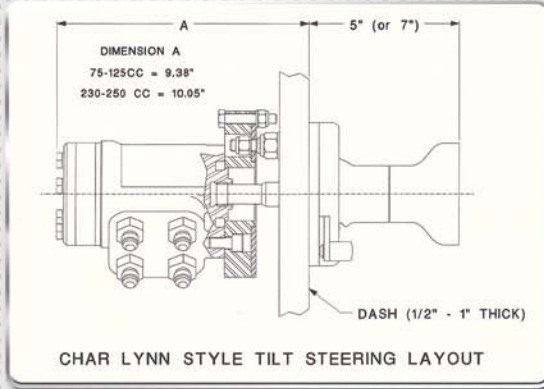


***WWW.EVERETTPERFORMANCE.COM***



# OUTBOARD TILT HELM KITS

**AVAILABLE IN 5", 7" AND 9" FROM DASH.**



Manufactured out of 316 stainless steel, this state-of-the-art helm offers 50° of effortless tilt (25° up / 25° down). This is the original patented design with several upgrades. You will not find a stronger, more durable unit anywhere on the market. It comes with everything necessary to engage with Outboard Danfoss, SeaStar, U Flex, Char Lynn hydraulic, Mercury JPO and more and includes mounting for a new Zeiger, Isotta, Dino and Momo steering wheels.



**MADE IN THE USA**

**WWW.EVERETTPERFORMANCE.COM**